

DESIGN BRIEF FOR CONCORD LIBRARY PLANTER POT PUBLIC ART



The City of Canada Bay is seeking Expressions of Interest from individual artist or groups to design and make a soft sculptural artwork to place into three giant planter pots inside Concord Library. The project aims to reinforce the value of tending to the growth of wisdom through literacy and numeracy using soft sculpture.

Site Description

The three pots are located inside, on the ground floor - two in the general reading area and the third in the café.

Timeframe

December 2012 – February 2013

Theme and Requirements

Each pot has its own theme. The three themes are:

1. Let me take a leaf out of your book
2. The tree of knowledge
3. The pages of history

In order to maintain coherence across a possibly diverse range of designs, a limited colour palette consisting of greens, browns, reds and whites is imposed.

Artwork Specifications

1. Dimensions
 - The height of the pot is 1160.00mm
 - Outside circumference is 1290.mm
 - Inside circumference is 1050.00mm – (drawings attached)
 - Metal core total height inside the pot measures 3800.00mm
 - The chicken wire surround at the base measures 1290.00mm
 - The chicken wire surround at the top of the tree measures approximately 250.00mm
2. Media
 - Pots: Fibreglass and the internal tree structure is metal
 - Artworks: mixed media - soft sculpture / textiles and fabric based
3. Artworks must be original and fully created by the artist/s

Development of Artwork Design

- After submission of expression of interest, artists will be chosen to develop their design.
- Upon submitting the initial design, artists will meet with Council's Cultural Development and Public Art Specialist, Library Manager and appropriate council staff to consolidate the final work.
- Upon approval of the final design, artists will proceed to complete the work offsite and install at an agreed off-peak time.
- Artist/s can attend and give direction on location at time of installation, but it's not mandatory – Written and/or verbal instruction/s are good enough.

Project Management / Supervision

Artists will report to Council's Cultural Development and Public Art Specialist.

Budget

Per pot - the artist/s will provide Council with an itemised quote detailing materials, design work and installation costs inclusive of GST.

Production schedule

The production of the works should be carried out within 8 weeks of the approved design.

Contract

The selected artist/s will be required to sign a Contract with Council prior to the commencement of the work/s.

Artist responsibilities

Include:

- Managing and delivery of the project within the required production schedule and agreed budget.
- Presentation to Commissioner (Council) an overview of the design and content proposed by the selected artist/s prior to the commencement of the works.
- The project budget that will provide detailed artist/s fees, materials and project management costs.
- Address relevant risk management issues in relation to hazard and/or risk in relation to artist/s and/or volunteers working in the public domain.
- Sourcing and storing art work materials for use by the artist/s.
- Ensuring use of appropriate materials that have manufacturer's advice specifying a minimum lifespan of 5 years for indoor conditions.
- Ensuring the health and safety of artist/s working on the project.
- Address within the artist/s contract issues and responsibilities associated with copyright, decommissioning of art work, end of lifespan management (eg removal) and OH&S

Submissions to the project brief

Should include the following:

- Conceptual response to the identified themes.
- Project management and production schedule
- Curatorial methodology art statement (story of the work/s)
- Project budget.
- Artist CV / portfolio images of previous artwork completed.

Artists wishing to submit an Expression of Interest for this brief should do so by the **close of business on Monday, 25 February 2013.**

Further information

All submissions and enquiries should be directed to:

Stephanie Kelly

Business, Arts & Places Manager

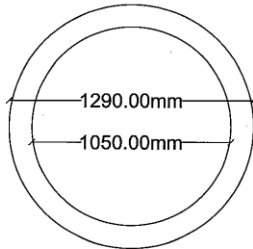
P: 9911 6521

E: stephanie.kelly@canadabay.nsw.gov.au

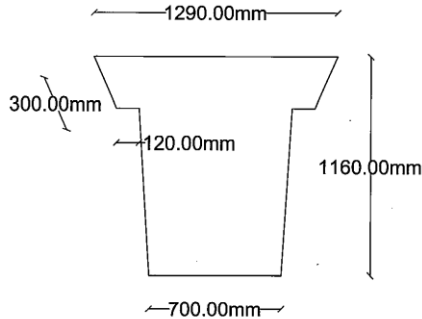


Concord Library Pot Views

TOP VIEW



SIDE VIEW



Concord Library Internal Area Pot

